

CITY COUNCIL
COMMITTEE ON ZONING, LANDMARKS AND BUILDING STANDARDS

COUNCIL ORDER

RE: Approval of sign over 100 square feet in area or over 24 feet above grade

ORDERED, that the City Council hereby approves the following sign application submitted by:

Applicant*: Crash Champions

(* The Applicant is the owner of the real property or the business tenant of the real property. Do not list the sign contractor, sign erector, sign company or advertising entity in the above space.)

This Order approves the following sign in accordance with Municipal Code of Chicago Section 13-20-680:

Address of Sign: 2232 S. Wabash Ave Chicago, IL 606 16

Zoning District: DS-3

DOB Sign Permit Application #: _____

Sign Details:

1. On-premise OR Off-premise _____
2. Static sign OR Dynamic-image display sign _____
3. Number of sign faces 1
4. Projecting over the public way NO (Yes or No) If yes, Public Way Use #: N/A
5. Dimensions: Length 14 feet 7.38 inches Height 4 feet 7 inches
Total square feet in area: 67 ^{sq} feet — inches
6. Height above grade: 25 feet 10 inches (bottom of sign), 30 feet 5 inches (top of sign)
7. Elevation (side of building or lot where the sign will be erected): North
8. Name of Sign Contractor/Erector: Signco, Inc.

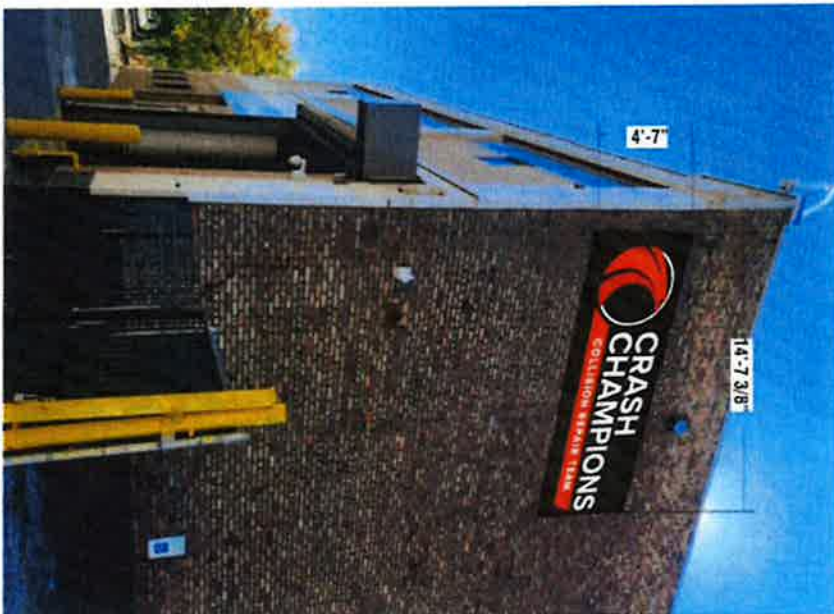
To be legal, such sign shall comply with all provisions of Title 17 of the Chicago Municipal Code ("Zoning Ordinance") and all other provisions of the Municipal Code governing the permitting, construction and maintenance and removal of signs and sign structures. Failure of the applicant and the applicant's successors to comply shall be grounds for invalidation or revocation of the sign permit.

Pat Dowell
Alderman

3rd
Ward



EXISTING



PROPOSED

D

FEDERAL HEATH
 VISUAL COMMUNICATIONS
 2300 North Highway 121, Suite 200, Boss, TX 75009
 (817) 485-9077 (800) 527-9495 Fax (817) 485-9101

Manufacturing Facilities:
 Chicago, IL; Dallas, TX; Houston, TX
 Phoenix, AZ; Portland, OR
 Atlanta, GA; Springfield, IL; St. Louis, MO
 Little Rock, AR; Louisville, KY; O'Fallon, IL
 Madison, WI; Milwaukee, WI; St. Paul, MN
 Tampa, FL; Washington, DC; Wichita, KS

Client Approval/Check: _____
Contract Approval/Check: _____

Account Rep: John Brown
Project Manager: Rachel Cannedy
Client By: Chris H. Cantrell
 Chris H. Cantrell, President, 2232 S. Wabash Ave., Chicago, IL 60616

Project Location:
STORE #357
 2232 S. Wabash Ave.
 Chicago, IL 60616

Job Number: 23-81801-10
DATE: 07.07.23
Sheet Number: 6 of 7
Design Number: 23-81801-10 R1

The original drawing is provided as part of a professional project and is not to be reproduced or copied in any form without the written permission of Federal Heath Sign Company, LLC or its authorized sign artist.



NOTE: BACKGROUND PANEL WILL BE SEAMED DUE TO SIZE

D INTERNALLY ILLUMINATED LOGO & LETTERSET ON BACKGROUND PANEL ONE (1) REQ
SCALE: 1/4" = 1'-0" 67.0 SQ FT

SCOPE OF WORK:

CHANNEL LOGO: 5" DEEP .040 PRE-FINISHED ALUMINUM LOGO CABINET. SATIN BLACK RETURNS & TRIMCAP. 3/16" WHITE ACRYLIC FACE. DIGITAL PRINT OVERLAY. BLACK DIGITAL PRINT BORDER TO RUN UNDER TRIMCAP. WHITE LEDS. INSTALL FLUSH TO BACKER.

CRASH CHAMPIONS CHANNEL LETTERS: 5" DEEP .040 PRE-FINISHED ALUMINUM CHANNEL LETTERS. SATIN BLACK RETURNS AND TRIM CAP. 3/16" WHITE ACRYLIC FACE. WHITE LEDS. INSTALL FLUSH TO BACKER.

COLLISION REPAIR TEAM TAG LINE CABINET: 5" DEEP .040 PRE-FINISHED ALUMINUM CHANNEL TAG LINE. SATIN RED RETURNS AND TRIM CAP. 3/16" WHITE ACRYLIC FACE WITH DIGITAL PRINT OVERLAY. PMS 1788C. COPY WILL REVERSE OUT WHITE. INTERNAL WHITE LEDS. CABINET INSTALL FLUSH TO BACKER.

ALUMINUM BACKER: 3" DEEP ALUMINUM BACKER PANEL/WIREWAY TO BE PAINTED BLACK PC AND INSTALLS FLUSH TO WALL

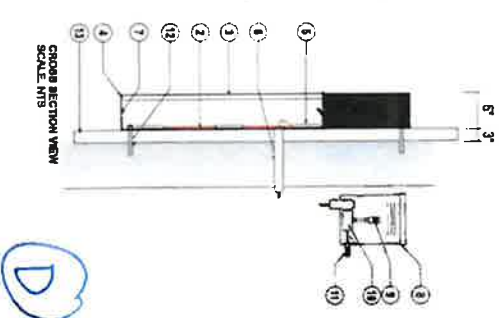


END VIEW

FABRICATION TO BE AS NOTED TO MATCH CUSTOMER SIGN PROGRAM AND EXISTING SITES

2. ACR BACKER LETTER LOOKED TO RETURNS
4. TRIM CAP TO BE 1" PRE-FINISHED JEWELITE CHEMICALLY BONDED TO BACKS
5. WHITE LED MODULES
6. RIGID PASS THRU FOR LOW VOLTAGE LED WIRING
7. 1/4" WEEP HOLES WITH LIGHT BARTLES (EXTERIOR APPLICATIONS ONLY)
8. ETL COMPLIANT ENCLOSURE FOR LED POWER SUPPLIES 4" 18" X 7". REMOTE LOCATED
9. DISCONNECT SWITCH
10. LED POWER SUPPLIES
11. PRIMARY ELECTRICAL
12. CORROSION RESISTANT FASTENERS PER CONDITIONS
13. ALUM. BACKGROUND PANEL/WIREWAY

INSTALLER NOTE:
INSTALLER RESPONSIBLE TO CHOOSE THE APPROPRIATE FASTENERS PER THE WALL TYPE



GROUP SECTION VIEW
SCALE: 1/8" = 1'-0"



FEDERAL HEATH
VISUAL COMMUNICATIONS
www.federalheath.com
3200 North Broadway St. Suite 1000
Chicago, IL 60641
8171 443-9077 800 537-9195 Fax 8171 443-9100

Account Executive: John Brown
Project Manager: Rachel Cannedy
Sales: Chris H. Cantrell
2232 S. Wabash Ave
Chicago, IL 60616

Account Executive: John Brown
Project Manager: Rachel Cannedy
Sales: Chris H. Cantrell
2232 S. Wabash Ave
Chicago, IL 60616

Account Executive: John Brown
Project Manager: Rachel Cannedy
Sales: Chris H. Cantrell
2232 S. Wabash Ave
Chicago, IL 60616

Account Executive: John Brown
Project Manager: Rachel Cannedy
Sales: Chris H. Cantrell
2232 S. Wabash Ave
Chicago, IL 60616

Account Executive: John Brown
Project Manager: Rachel Cannedy
Sales: Chris H. Cantrell
2232 S. Wabash Ave
Chicago, IL 60616