

CITY COUNCIL  
COMMITTEE ON ZONING, LANDMARKS AND BUILDING STANDARDS

COUNCIL ORDER

RE: Approval of sign over 100 square feet in area or over 24 feet above grade

ORDERED, that the City Council hereby approves the following sign application submitted by:

Applicant\*: 601W South Canal LLC

(\* The Applicant is the owner of the real property or the business tenant of the real property. Do not list the sign contractor, sign erector, sign company or advertising entity in the above space.)

This Order approves the following sign in accordance with Municipal Code of Chicago Section 13-20-680:

Address of Sign: 801 S Canal Chicago, IL 60607

Zoning District: PD504

DOB Sign Permit Application #: 101038085

Sign Details:

1. On-premise  OR Off-premise

2. Static sign  OR Dynamic-image display sign

3. Number of sign faces 2

4. Projecting over the public way No (Yes or No) If yes, Public Way Use #: \_\_\_\_\_

5. Dimensions: Length 4 feet 0 inches Height 3 feet 10 inches


Total square feet in area: 15 feet 0 inches

6. Height above grade: 27 feet 10 inches

7. Elevation (side of building or lot where the sign will be erected): West

8. Name of Sign Contractor/Erector: All American

To be legal, such sign shall comply with all provisions of Title 17 of the Chicago Municipal Code ("Zoning Ordinance") and all other provisions of the Municipal Code governing the permitting, construction and maintenance and removal of signs and sign structures. Failure of the applicant and the applicant's successors to comply shall be grounds for invalidation or revocation of the sign permit.

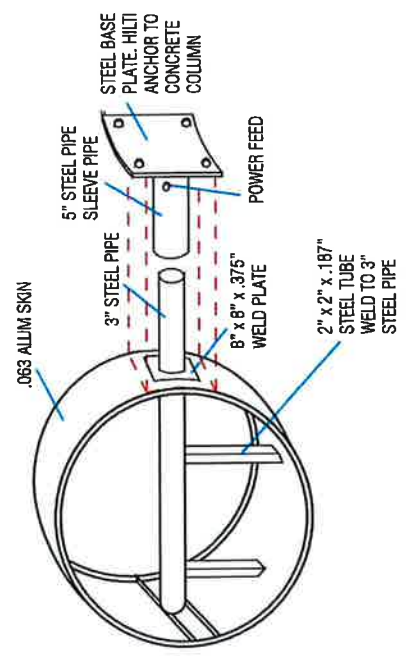
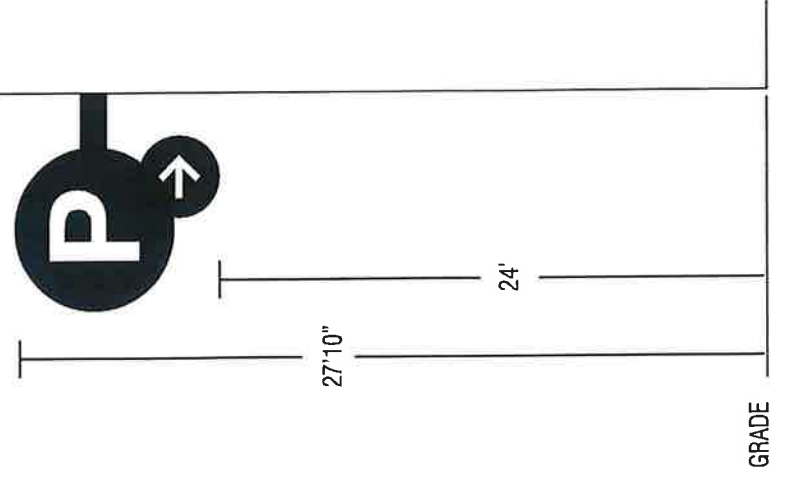
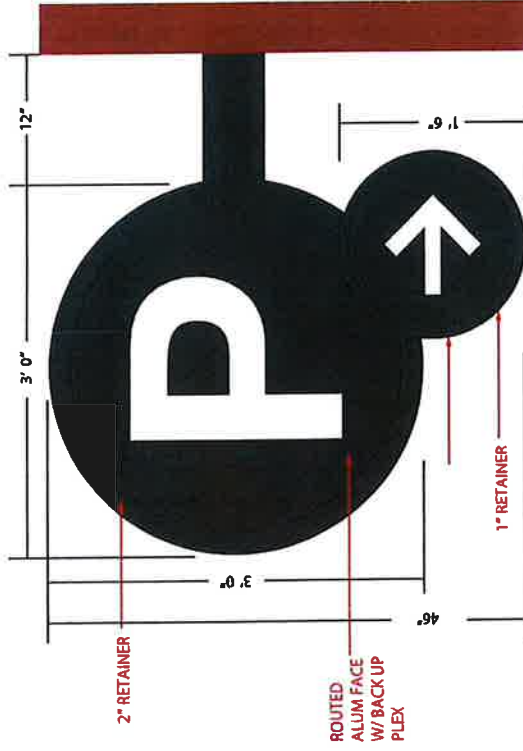
  
\_\_\_\_\_  
Alderman

28  
Ward



# 801 SOUTH CANAL

TYPE 1.00 - BLADE SIGN  
(1) 46" (H) X 36" (W) X 12" DEPTH ILLUMINATED BLADE SIGN  
09/19/23 REV 2



**LISTING #E192557**  
**TYPE: BLADE**  
**OVERALL SIZE = 46" (H) X 36" (W)**  
**SQ. FT. = 11.5**  
**APPROX. WEIGHT = 120 lbs**  
**VOLT/AMP LOAD = 1.4amps @ 110v AC**  
**BRANCH CIRCUITS = 1**  
**LAMP = LED (150)**  
**WATTS = 60**  
**POWER SUPPLY = 1**



# 801 SOUTH CANAL

TYPE 1.00 - BLADE SIGN  
(1) 46" (H) X 36" (W) X 12" DEPTH ILLUMINATED BLADE SIGN  
09/19/23 REV 2

